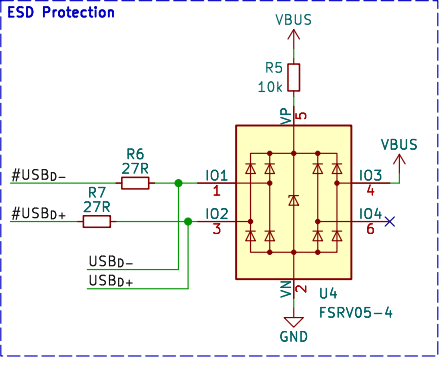
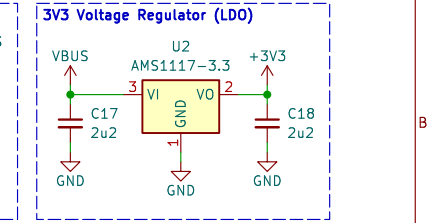
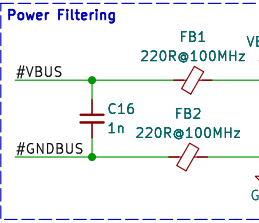


Calculating Crystal Capacitors
 $C = 2 * (Cload - Cstray)$
 with: $Cstray = 5pF, Cload = 20pF$



Libro Pico Probe v1.0

Sheet: /
 File: LibroPicoProbe.kicad_sch

Title: Libro Pico Probe

Size: A4 Date: 2023-09-08
 KiCad E.D.A. 8.0.6

Engineer: Tim Goll
 Id: 1/1