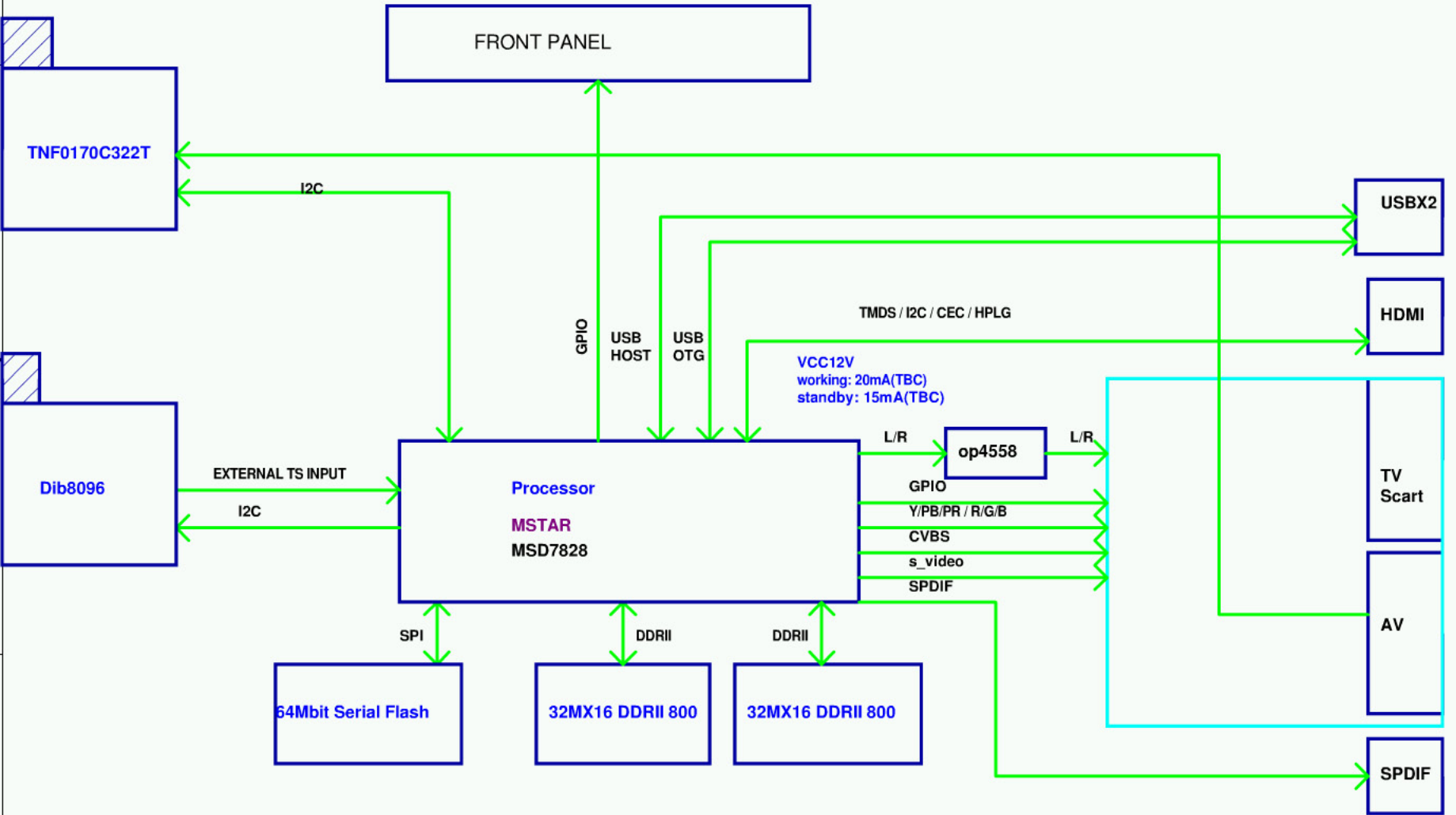


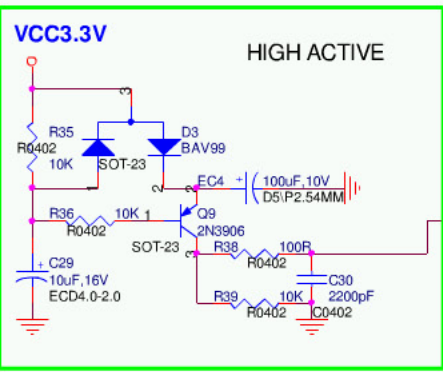
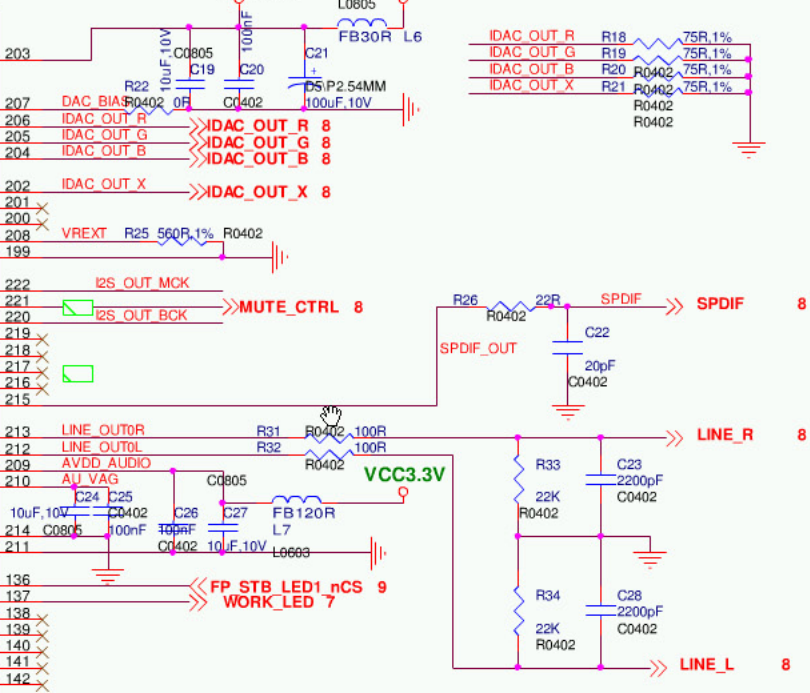
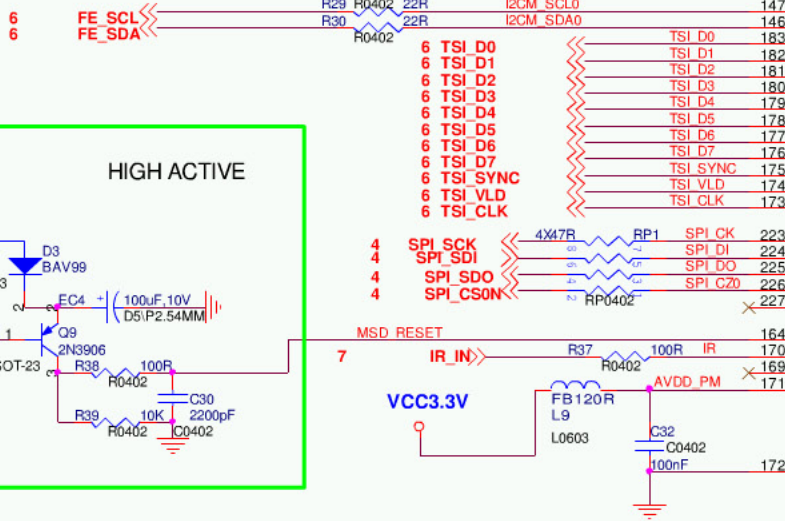
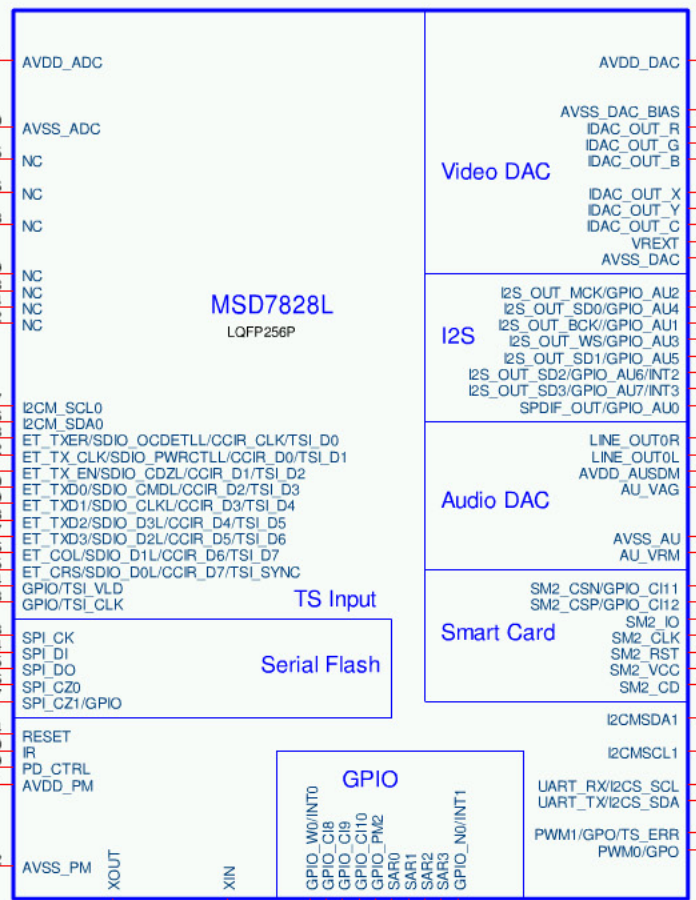
- MSD7828 main feature:
1. HD MPEG2 decoding
 2. HD H.264 decoding
 3. HDMI TX,
 4. 1 USB HOST ,1 USB OTG
 5. internal Ethernet MAC, RMIII supported.
 7. 6xVideo DAC output
 -

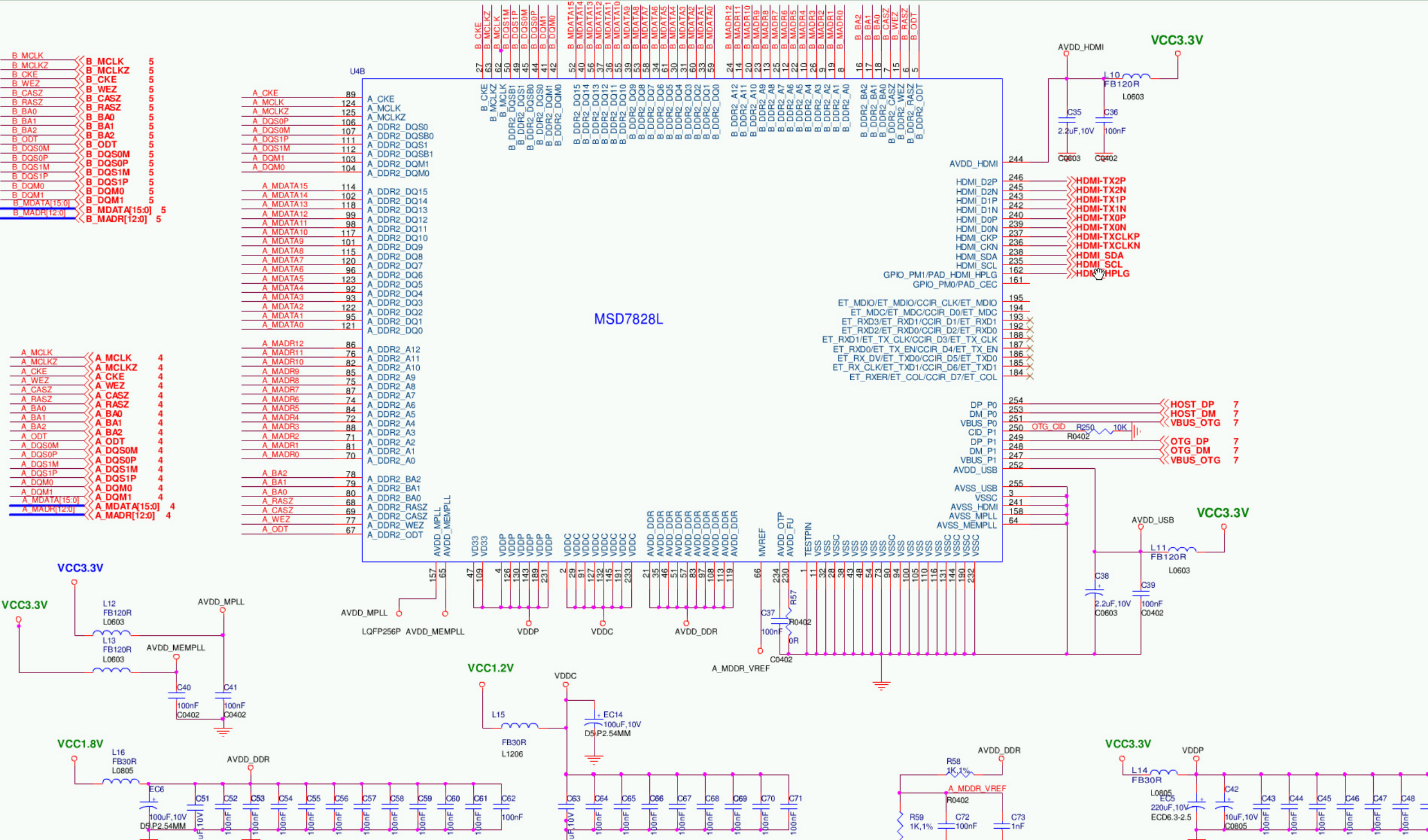
MSD7828 HD DVB-T FTA HD STB

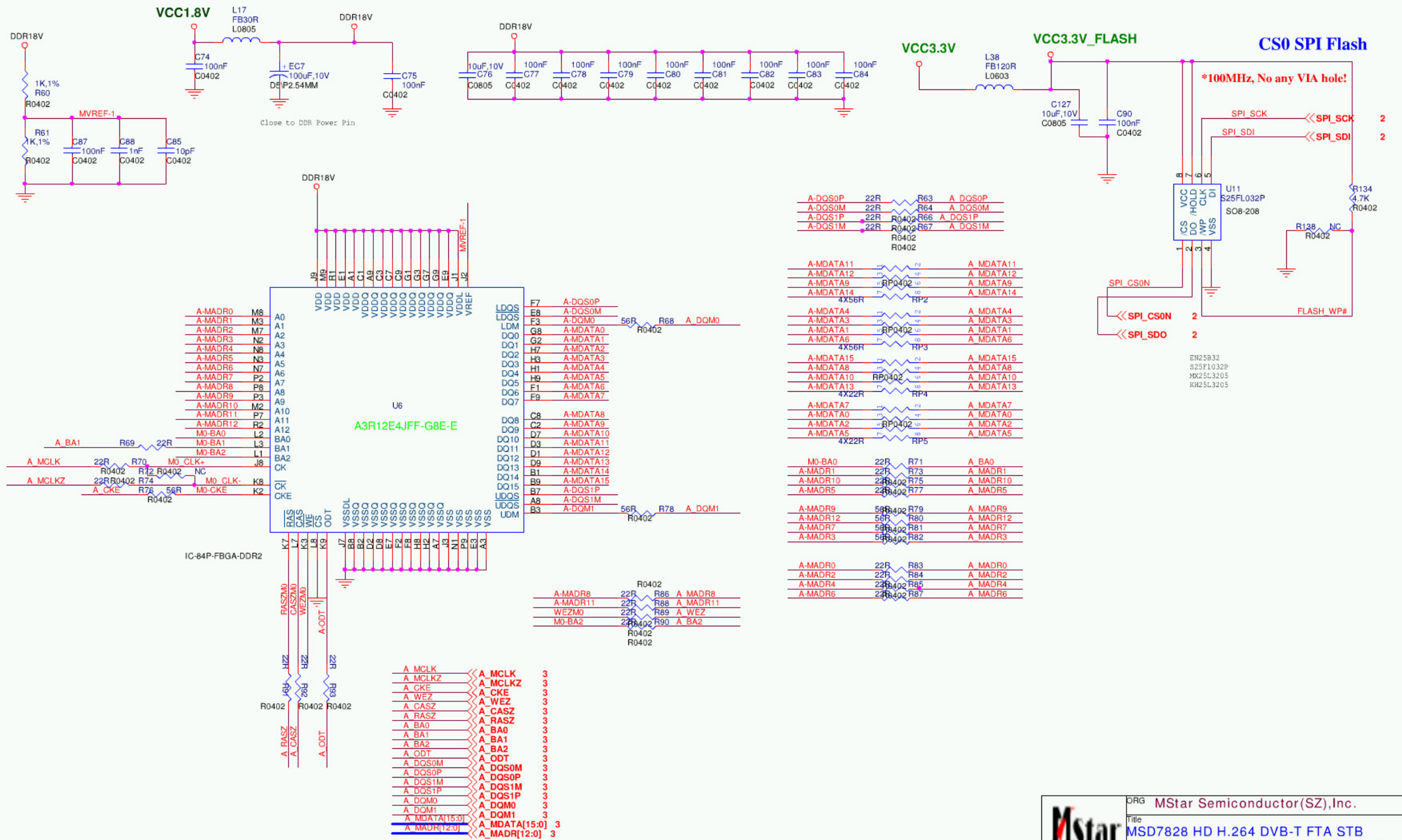


VCC3.3V

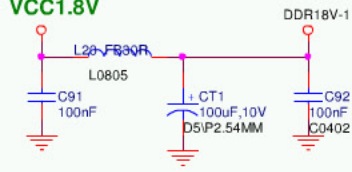
VCC3.3V



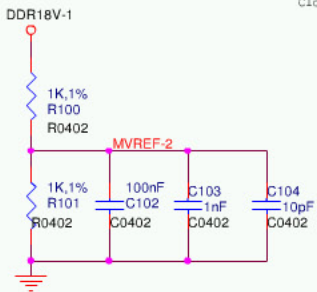




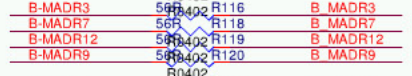
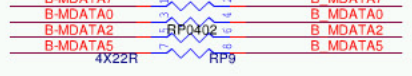
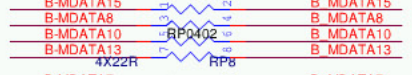
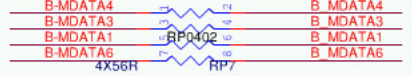
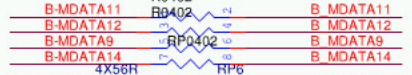
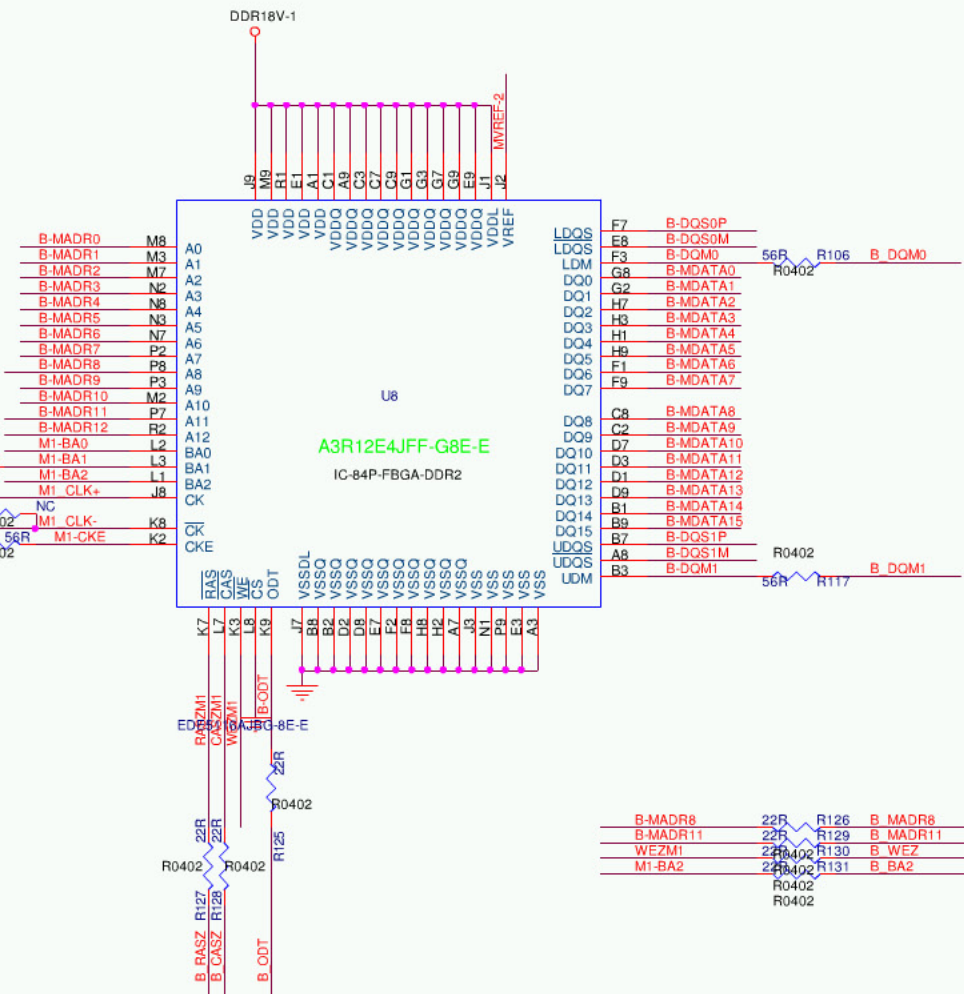
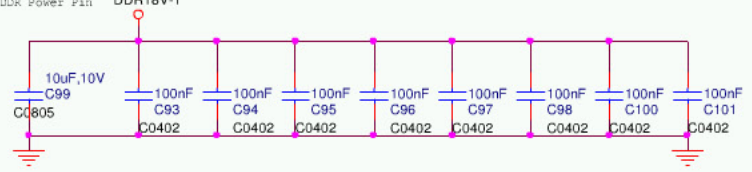
VCC1.8V



Close to DDR Power Pin



Close to DDR Power Pin



- B MCLK <> B MCLK 3
- B MCLKZ <> B MCLKZ 3
- B CEK <> B CEK 3
- B WEZ <> B WEZ 3
- B CASZ <> B CASZ 3
- B RASZ <> B RASZ 3
- B BA0 <> B BA0 3
- B BA1 <> B BA1 3
- B BA2 <> B BA2 3
- B ODT <> B ODT 3
- B DQS0M <> B DQS0M 3
- B DQS0P <> B DQS0P 3
- B DQS1M <> B DQS1M 3
- B DQS1P <> B DQS1P 3
- B DQM0 <> B DQM0 3
- B DQM1 <> B DQM1 3
- B MDATA[15:0] <> B MDATA[15:0] 3
- B MADR[12:0] <> B MADR[12:0] 3

ORG MStar Semiconductor(SZ),Inc.

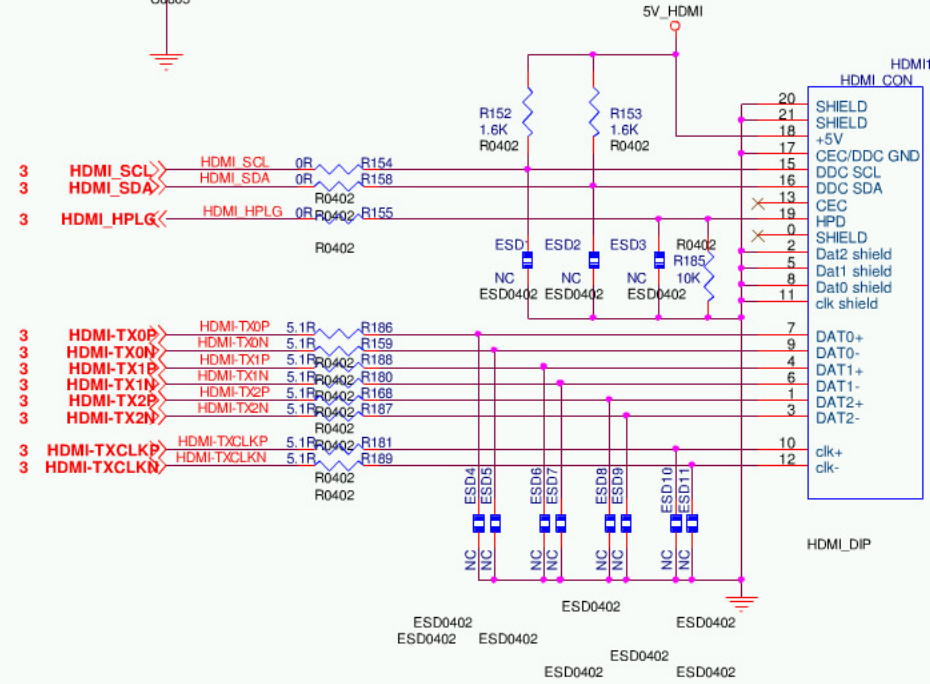
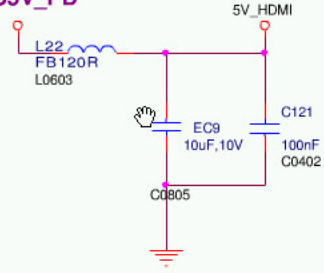
Title MSD7828 HD H.264 DVB-T FTA STB

Size B Document Number

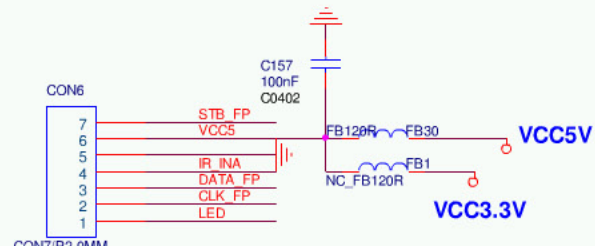
Date: Tuesday, July 27, 2010 Sheet 5 of 10

HDMI

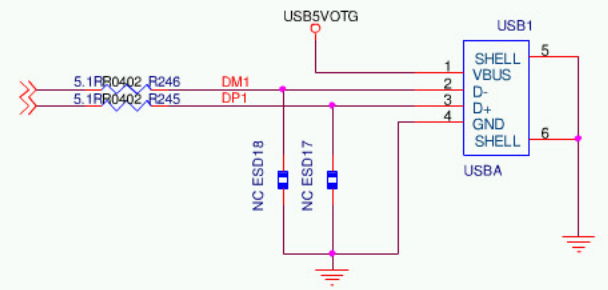
VCC5V_PD



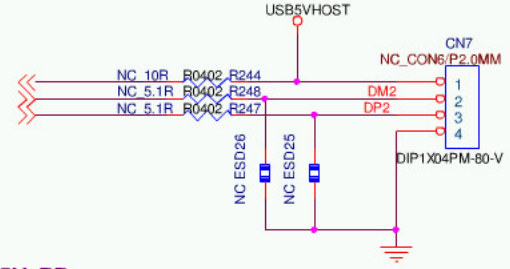
HDMI



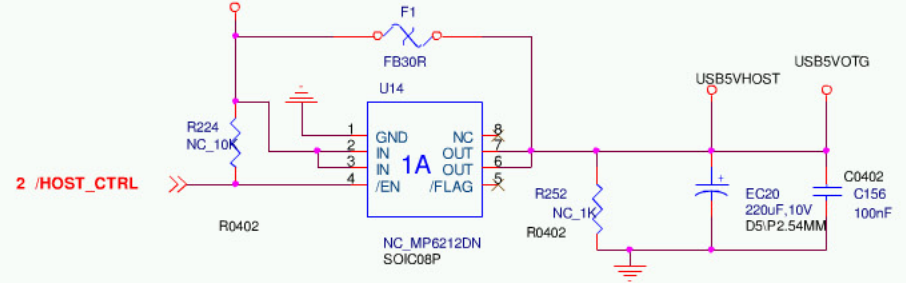
3 OTG_DM
3 OTG_DP



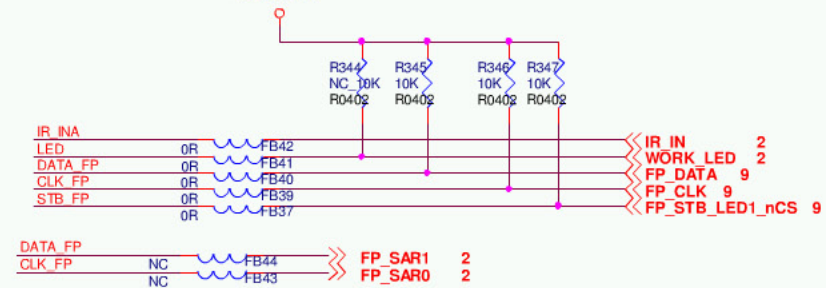
3 VBUS_OTG
3 HOST_DM
3 HOST_DP

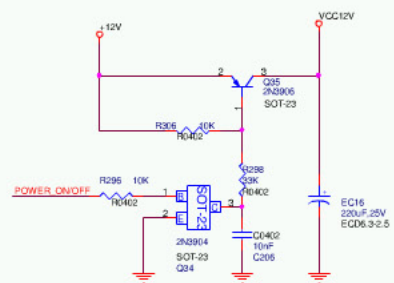
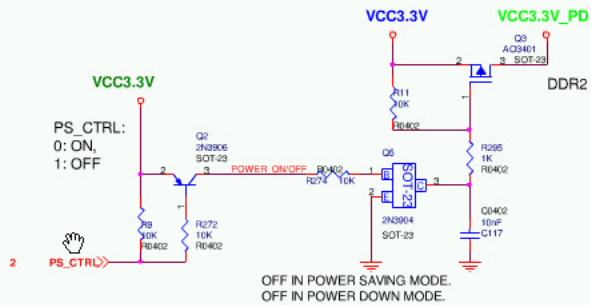
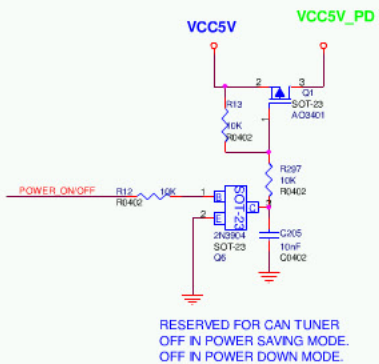


VCC5V_PD



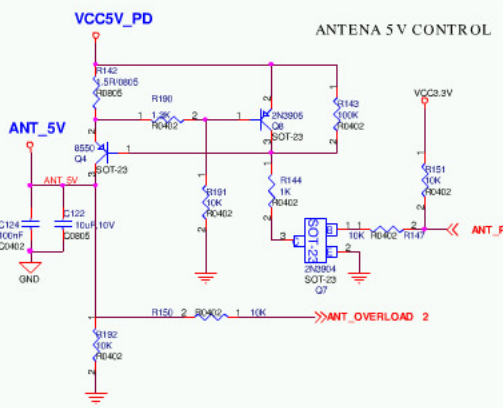
VCC3.3V





电压	TOTAL	T828	1220	DDR2	Other	FAN TUNE	102041	功耗
1.2V	1A	80mA	100mA					1.1
1.8V	400mA	40mA		220mA				0.85
3.3V	800mA	300mA	300mA		30mA		300mA	2.64
5V	150mA				40mA	150mA		0.95
12V	50A							0.66

DDR: 从3.3V 100出



POWER AC TO DC

